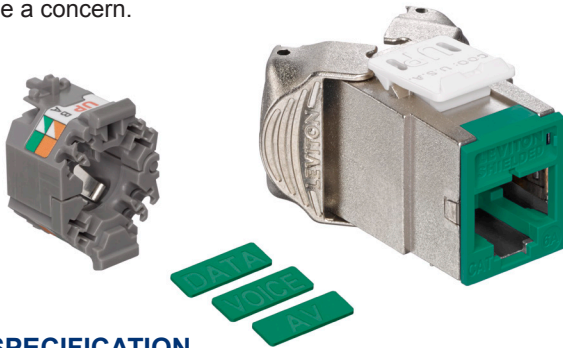


Atlas-X1™ Cat 6A Component-Rated Shielded QuickPort® Jack

APPLICATION

The Atlas-X1 Cat 6A Component-Rated Shielded QuickPort Jack supports 10GBASE-T networks. The shielded jack provides superior alien crosstalk (AXT) suppression and protects critical data from potential EMI/RFI (electromagnetic interference/radio frequency interference). The jack is part of a complete Atlas-X1 Cat 6A shielded system ideal for government, healthcare, manufacturing, transportation, gaming, and other environments where EMI/RFI and/or security may be a concern.



SPECIFICATION

The shielded jack shall meet or exceed all requirements for Category 6A as described in ANSI/TIA-568.2-D, as well as Class E_A requirements as described in ISO/IEC 11801-1. The jack shall comply with all National Electrical Codes, be compliant with ANSI/TIA-1096-A, be UL listed, and be independently verified. The jack shall be encased in a die-cast housing to protect from potential EMI/RFI. The jack shall support tool-free termination/re-termination and shall not require a specialized termination tool. The jack wiring shall be universal to accommodate T568A and T568B wiring schemes. The jack shall be available in 13 colors; more than established by the ANSI/TIA-606 standard. The jack shall be offered in standard and shuttered styles and select jacks shall be supplied with interchangeable icons. It shall support Power over Ethernet up to 100 watts.

DESIGN CONSIDERATIONS

- Fits most QuickPort applications in patch panels, faceplates, and surface-mount boxes
- Can be used to terminate all types of shielded cable
- To identify ports, use different colored modules and icons (13 ANSI/TIA-606-C compatible colors)
- Robust housing and internal shutter protects the jack in harsh environments

FEATURES

- Independently tested and guaranteed to exceed all component, permanent link, and channel margins
- Patented Retention Force Technology™ (RFT) protects against tine damage and increases system longevity
- For Power over Ethernet, RFT maintains contact force between plug and jack, preventing arcing from intermittent disconnects
- Shielding provides EMI/RFI protection, signal isolation, and excellent alien crosstalk (AXT) suppression
- Unique design supports tool-free termination/re-termination and requires no specialized termination tool
- Short jack design supports a wider range of applications (e.g. shallow boxes, enclosures, bend radius, etc.)
- Terminates from 26 to 22-gauge solid or stranded conductors for use on various cable types
- Robust IDCs can withstand 20 re-termination cycles and jack contacts are tested for 750 plug-mating cycles to ensure system longevity
- Available in 13 ANSI/TIA-606-C compatible colors
- Select jacks available with interchangeable icons (voice, data, A/V, and blank, color coded to match the jack face) for easy identification and tracking of data, voice, or other functions
- Jack with internal shutter protects against dust and debris
- Solid metal body dissipates 53% more heat than traditional plastic, minimizing damage from excess heat in PoE applications
- Tine geometry prevents arcing damage where plug and jack make contact

STANDARDS COMPLIANCE

- ANSI/TIA-568.2-D (Cat 6A)
- ISO/IEC 11801-1 (Class E_A)
- cULus Listed
- RoHS 2
- UL 2043 Plenum Certified
- IEC 60603-7 (includes IEC 60512-5-2)
- IEC 60512-99-001 (includes IEC 60512-9-3)
- ANSI/TIA-1096-A (formerly FCC Part 68)
- PoE standards: IEEE 802.3af, 802.3at, 802.3bt, Cisco UPoE, and Power over HDBaseT™ (PoH) up to 100 watts

PHYSICAL SPECIFICATIONS

Dimensions: See page two

Materials: **Jack Body:** Die-cast zinc

Spring-Wire Contacts: High-quality, copper-based alloy, plated with 50 micro-inches of gold for lowest contact resistance and maximum life

Environmental **Storage Temperature:** -40 °C to +70 °C

Conditions: **Operating Temperature:** -10 °C to +60 °C

Leviton Network Solutions

2222 - 222nd St. SE
Bothell, WA 98021-4416

tel 1-800-824-3005
tel +1-425-486-2222
appeng@leviton.com
www.leviton.com

Asia / Pacific
T +1.631.812.6228
E infoasean@leviton.com

Europe
T +44.0.1592.772124
E customerserviceeu@leviton.com

Canada
T +1.514.954.1840
E pcservice@leviton.com

Mexico
T +52.55.5082.1040
E lsamarketing@leviton.com

Caribbean
T +1.954.593.1896
E infoacaribbean@leviton.com

Middle East & Africa
T +971.4.247.9800
E lmeinfo@leviton.com

China
T +852.2774.9876
E infochina@leviton.com

South Korea
T +82.2.3273.9963
E infokorea@leviton.com

Colombia
T +57.1.743.6045
E infocolombia@leviton.com

COUNTRY OF ORIGIN

USA

WARRANTY INFORMATION

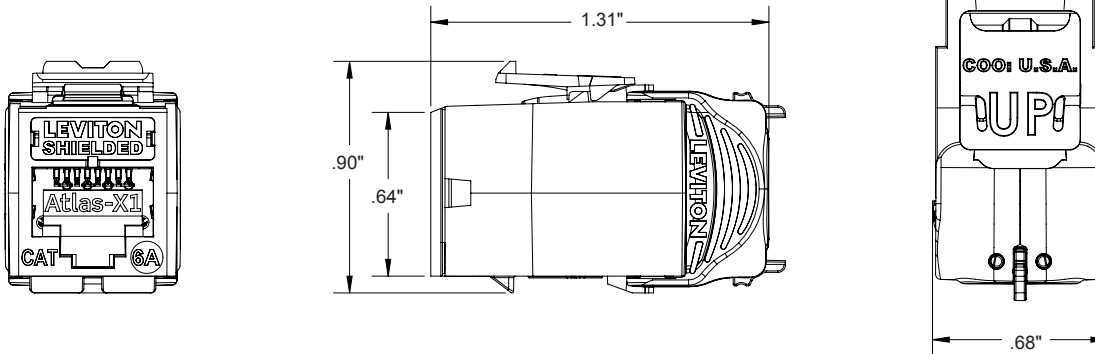
Limited Product and Limited Extended Warranties are rendered VOID if the installed structured cabling system is used for PoE applications that exceed the product's specified power rating.

For a copy of Leviton product warranties, visit www.leviton.com/warranty.

ELECTRONIC FILES

For CAD files, typical specs, or technical drawings (.DXF, .DWG), visit www.leviton.com.

6ASJK-xx6, ICONS-ICx



PART NUMBERS

Description	Standard Jack	Jack w/ Internal Shutters	GreenPack® 12-Pack Standard Jack
Atlas-X1™ Cat 6A Component-Rated Shielded QuickPort® Jack, white	6ASJK-RW6	6ASJK-SW6	6ASJK-CW6
Atlas-X1 Cat 6A Component-Rated Shielded QuickPort Jack, light almond	6ASJK-RT6	6ASJK-ST6	—
Atlas-X1 Cat 6A Component-Rated Shielded QuickPort Jack, ivory	6ASJK-RI6	6ASJK-SI6	—
Atlas-X1 Cat 6A Component-Rated Shielded QuickPort Jack, yellow	6ASJK-RY6	6ASJK-SY6	—
Atlas-X1 Cat 6A Component-Rated Shielded QuickPort Jack, orange	6ASJK-RO6	6ASJK-SO6	—
Atlas-X1 Cat 6A Component-Rated Shielded QuickPort Jack, crimson	6ASJK-RC6	6ASJK-SC6	—
Atlas-X1 Cat 6A Component-Rated Shielded QuickPort Jack, dark red	6ASJK-RR6	6ASJK-SR6	—
Atlas-X1 Cat 6A Component-Rated Shielded QuickPort Jack, purple	6ASJK-RP6	6ASJK-SP6	—
Atlas-X1 Cat 6A Component-Rated Shielded QuickPort Jack, blue	6ASJK-RL6	6ASJK-SL6	—
Atlas-X1 Cat 6A Component-Rated Shielded QuickPort Jack, green	6ASJK-RV6	6ASJK-SV6	—
Atlas-X1 Cat 6A Component-Rated Shielded QuickPort Jack, gray	6ASJK-RG6	6ASJK-SG6	6ASJK-CG6
Atlas-X1 Cat 6A Component-Rated Shielded QuickPort Jack, black	6ASJK-RE6	6ASJK-SE6	6ASJK-CE6
Atlas-X1 Cat 6A Component-Rated Shielded QuickPort Jack, brown	6ASJK-RB6	6ASJK-SB6	—

Color-matched icons (ICONS-ICx) can be ordered separately in 72-quantity packs.

Bulk wire managers (AXSJK-BGM) can be ordered separately in 10-quantity packs.

x = color



Leviton Network Solutions
2222 - 222nd St. SE
Bothell, WA 98021-4416

Asia / Pacific
T +1.631.812.6228
E infoasean@leviton.com

Canada
T +1.514.954.1840
E pcservice@leviton.com

Caribbean
T +1.954.593.1896
E infocaribbean@leviton.com

China
T +852.2774.9876
E infochina@leviton.com

Colombia
T +57.1.743.6045
E infocolombia@leviton.com

tel 1-800-824-3005
tel +1-425-486-2222
appeng@leviton.com
www.leviton.com

Europe
T +44.0.1592.772124
E customerserviceeu@leviton.com

Mexico
T +52.55.5082.1040
E Isamarketing@leviton.com

Middle East & Africa
T +971.4.247.9800
E lmeinfo@leviton.com

South Korea
T +82.2.3273.9963
E infokorea@leviton.com