

Specifications

- Housing material: Polycarbonate UL94V-0
- Gold plating: 1.27 μ m/50 μ "
- 3 prong contact for solid or stranded cores
- Housing colour: transparent
- Operating temperature: -10°C to 60°C

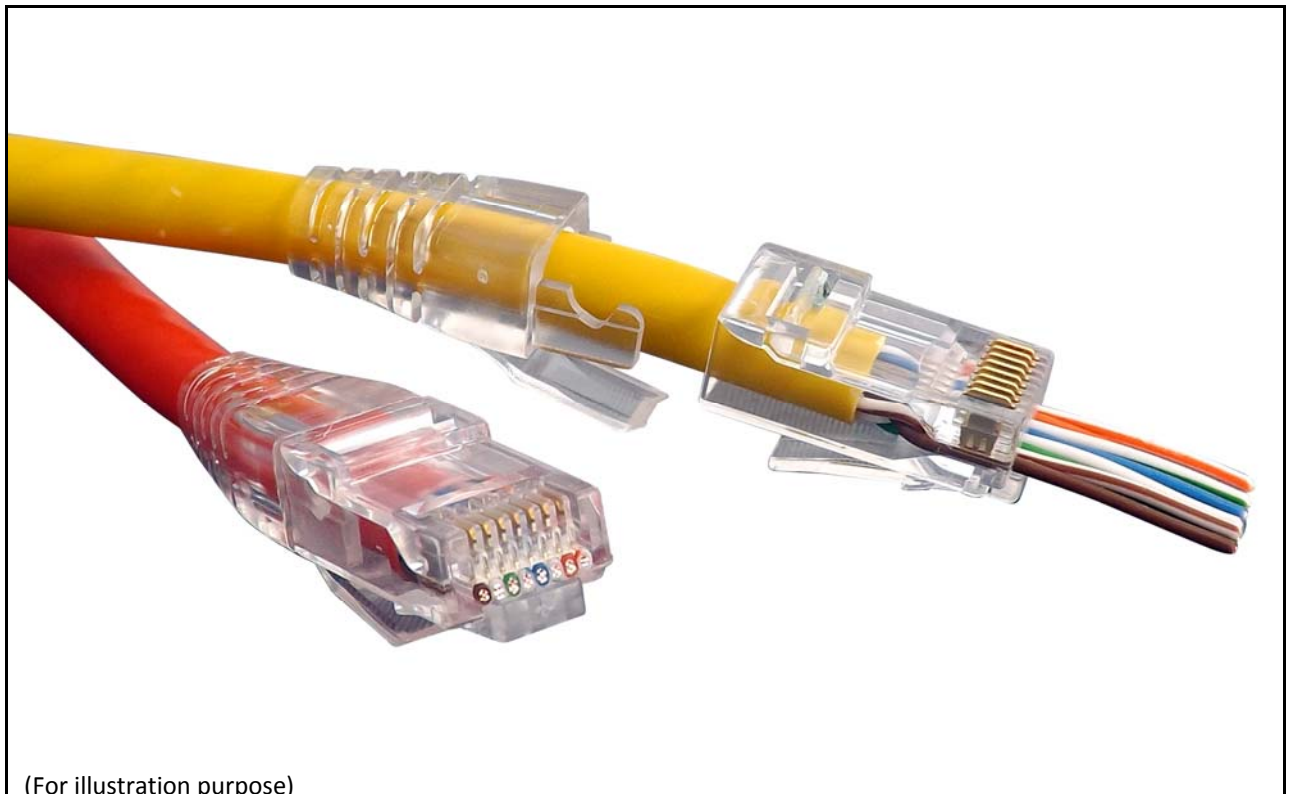
Packaging

Supplied in polybags of 10 then 100 then 500

10: PXSPDY5#10 (Category 5e)
PXSPDY6#10 (Category 6)

100: PXSPDY5#100 (Category 5e)
PXSPDY6#100 (Category 6)

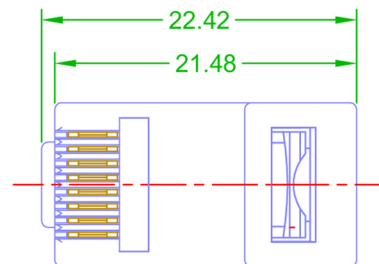
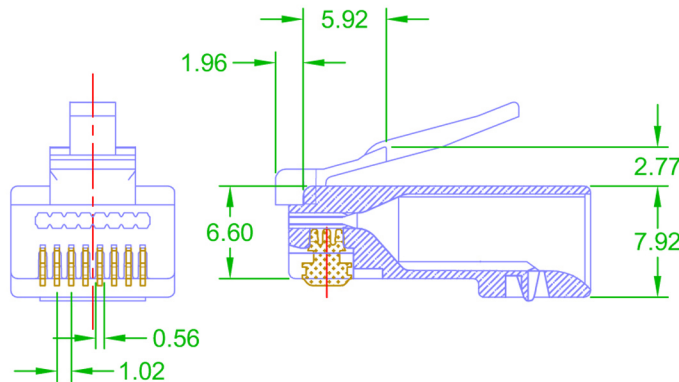
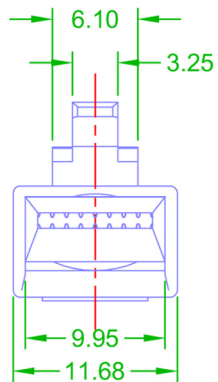
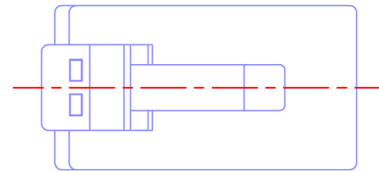
500: PXSPDY5#500 (Category 5e)
PXSPDY6#500 (Category 6)



Note: Not permitted for sale in the USA

ROHS Compliant

Code: PXSPDY6



1. Housing material: Polycarbonate
Flammability rating: UL 94V-0, RoHS Compliant
2. Contacts type: Three prong pin fits solid or stranded wires from 0.51 - 0.40mm (24 - 26 AWG)
3. Gold plating: 50 μ "/1.27 μ m
4. Packaging quantity: #500 = 500 pcs
#100 = 100 pcs
#10 = 10 pcs
5. Housing colour: Transparent
6. Operating temperature: -10°C to 60°C
7. Suitable for cable O.D. 5.0 - 6.0mm



Three prong pin
(not to scale)



SPEEDY RJ45 Crimp Tool



Ratchet Crimp Tool

Our ratchet crimp tool is designed for professional installers using ***SPEEDY*** RJ45 plugs. This superior quality tool has been specially designed to ensure that ***SPEEDY*** RJ45 terminations are not only faster than using other plugs but also consistent, reliable and repeatable.

Features

- Crimps ***SPEEDY*** RJ45 Category 5 and Category 6 8p8c plugs
- On ***SPEEDY*** RJ45 , crimps and trims surplus wires in a single operation, with a neat, flush finish
- Releasable ratchet action ensures consistent crimps
- Built in cutter and strippers cater for both flat and round cables
- Tool steel die head provides all round connector support and enables a uniform crimp force
- Every termination meets FCC specifications
- ALSO - crimps standard 8p8c (RJ45), 6p6c (RJ12) and 6p4c (RJ11) plugs

Specifications

- Materials:
 - Crimp head: zinc alloy
 - Tool body: carbon steel
 - Blades: tool steel
 - Handles: thermoplastic rubber
- Colour: red/black
- Weight: 518g

Packaging

Supplied in individual carton then in boxes of 20

TRCSPDY: individual carton

TRCSPDY#20: box of 20

Note: TRCSPDY is not permitted for sale in the USA

Replacement Cutting Blades



Cutting blades for TRCSPDY crimp tool (TBSPDY)

Supplied as a pack of two cutting blades with fixing screw, this replacement blade kit ensures that crimping performance levels are maintained throughout the life of the

SPEEDY RJ45 crimp tool.

Features

- High performance cutting blade guarantees a flush wire trim on extended conductors

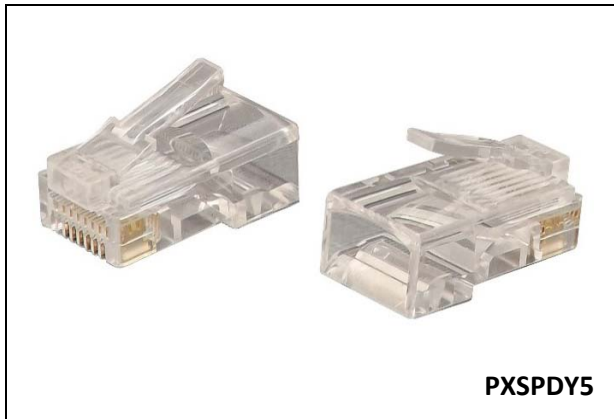
Specifications

- Material: tool steel

Packaging

Supplied in a pack of 2 with replacement screw, then in packs of 10

SPEEDY RJ45 Plugs



Plug for Category 5e and plug for Category 6

Our **SPEEDY** RJ45 plugs are designed to simplify twisted pair terminations by allowing the wire pairs to be easily inserted through the plug and out of the front. This allows the installer to easily check the wiring order before crimping the connector. Twist is maintained more easily enabling a better performing crimp. Waste is minimised and the plugs are suitable for either stranded or solid wires.

Features

- Each plug allows twisted pair wires to be inserted through the body and pulled out of the front to ensure the correct wiring order before crimping
- By pulling the cores into the plug, twists can easily be maintained up to the contacts, enabling fully rated category performance
- Contact blades are suitable for stranded or solid wire cores from 24-26 AWG (0.51 – 0.40mm), with insulation up to 1.0mm O.D.
- Plugs available for both Category 5e and 6 twisted pair terminations
- Perfect solution for rapid termination
- Suitable for termination of solid or stranded UTP cables with sheath O.D. of 5.0 – 6.0mm
- Faults and failures minimised
- Simple one piece design
- Less cable scrap and wastage
- **N.B. Must be used with suitable crimp tool (e.g., our code TRCSPDY)**

SPEEDY RJ45 Transparent Flush Strain Relief Boots



Transparent Flush Strain Relief Boots

These compact flush strain relief boots are designed to fit our **SPEEDY** RJ45 Category 5e and Category 6 plugs.

Features

- Premium design, suitable for high density use in most datacom environments
- Extended hood prevents latch snagging other cables
- Perfect solution for rapid termination
- Transparent, high strength, polycarbonate boot with high gloss finish; gives premium appearance to assembled leads
- Suitable for cable diameter size: approx. 5.5mm (PSPDY5) or 6.5mm (PSPDY6)
- Also suitable for use with standard 8p8c connectors for Category 5e or Category 6 (N.B. Retention legs differ between the two versions)

Specifications

- Material: Polycarbonate UL94-V2
- Colour: transparent

